

110 VINTAGE

WOOD STOVE

Measurements (W x D): 1100 x 640 mm (customized height)

Nominal heating power: 8 kW

Heating efficiency: 83,8%

Patented adjustable multiple smoke outlet

Available with oven right or left



Optional



DEKOR Vintage



PANORAMA (optional)
DEKOR Vintage

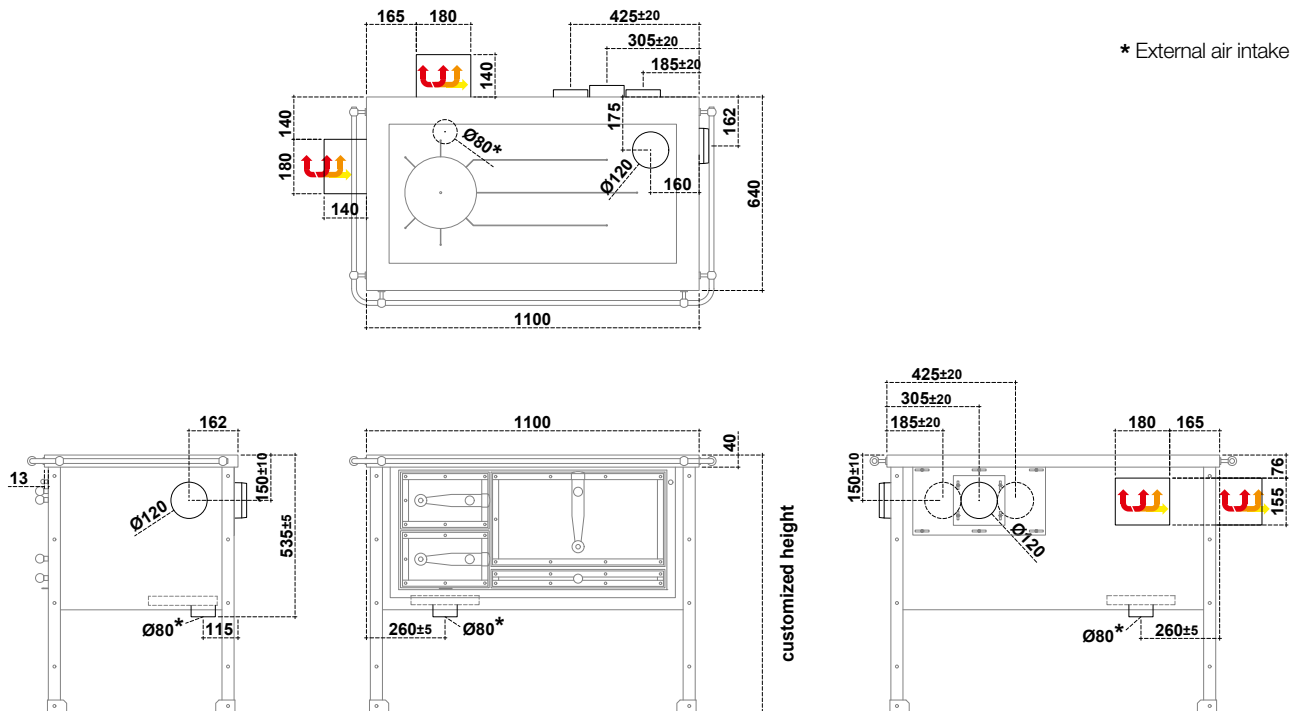


110 VINTAGE

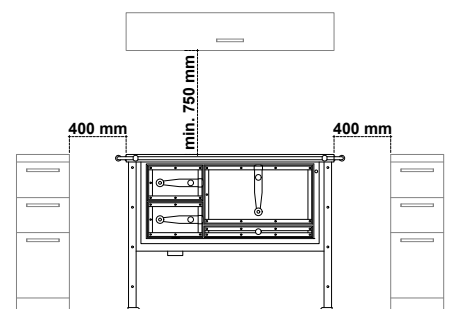
WOOD STOVE - OVEN ON RIGHT

Technical data (Data may vary depending on type of fuel used)

Fuel	Wood
Energy efficiency class	A+
Nominal heating power	8 kW
Heating efficiency	83,8 %
η_s Seasonal space heating energy efficiency	74,8 %
Diameter smoke outlet	Ø 120 mm
Minimum draught	12 Pa / 0,12 mbar
Temperature smoke outlet	212 °C
Smoke mass	6,6 g/s
CO at 13%O ₂	0,11 %
Weight	230 kg
Possible smoke outlets	5
Test report	C-1076392-1 rev.01
VKF AEAI - No.	16685
Firebox opening version Trend/Dekor (L x H)	200 x 165 mm
Firebox opening version Panorama (L x H)	205 x 180 mm
Combustion chamber (L x D x H)	255 x 400 x 260 mm
Drawer (L x D x H)	-
Oven (L x D x H)	500 x 420 x 265 mm
Hob (L x D)	950 x 460 mm
Diameter external air intake	Ø 80 mm
CO at 13% O ₂ (Carbon monoxide) / NOx (Nitrogen oxide)	1363,0 mg/Nm³ / 52,0 mg/Nm³
Dust / OGC (Organic compounds)	39,0 mg/Nm³ / 49,0 mg/Nm³


WARNING:
Minimum safety distance from flammable materials

From the rear and side connection to the chimney * 40mm of insulation with heat conductivity equal to 0.1 W/mK at 200°C	P= 0 + 40* mm Following agreement with chimney sweep
On the side above the plate	L= 400 mm
On the side below the plate (only with Air System fireproof protection unit)	L= 3 mm
Above the plate	Min. 750 mm
In the front from the middle of the fire door	R= 250 mm
Plate for floor protection	Based on specific country directives

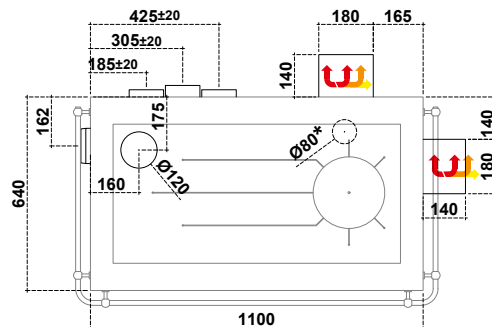


110 VINTAGE

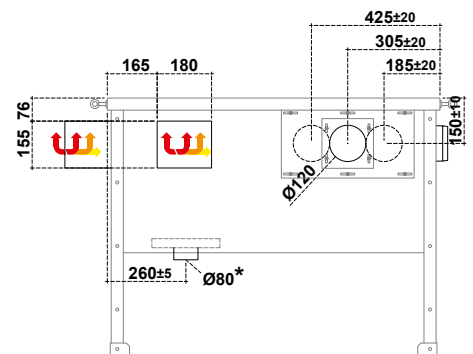
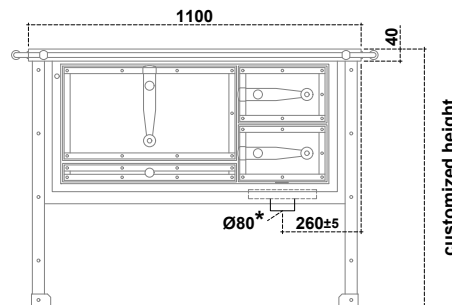
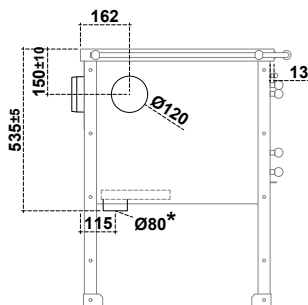
WOOD STOVE - OVEN ON LEFT

Technical data (Data may vary depending on type of fuel used)

Fuel	Wood
Energy efficiency class	A+
Nominal heating power	8 kW
Heating efficiency	83,8 %
η_s Seasonal space heating energy efficiency	74,8 %
Diameter smoke outlet	Ø 120 mm
Minimum draught	12 Pa / 0,12 mbar
Temperature smoke outlet	212 °C
Smoke mass	6,6 g/s
CO at 13%O ₂	0,11 %
Weight	230 kg
Possible smoke outlets	5
Test report	C-1076392-1 rev.01
VKF AEA1 - No.	16685
Firebox opening version Trend/Dekor (L x H)	200 x 165 mm
Firebox opening version Panorama (L x H)	205 x 180 mm
Combustion chamber (L x D x H)	255 x 400 x 260 mm
Drawer (L x D x H)	-
Oven (L x D x H)	500 x 420 x 265 mm
Hob (L x D)	950 x 460 mm
Diameter external air intake	Ø 80 mm
CO at 13% O ₂ (Carbon monoxide) / NOx (Nitrogen oxide)	1363,0 mg/Nm ³ / 52,0 mg/Nm ³
Dust / OGC (Organic compounds)	39,0 mg/Nm ³ / 49,0 mg/Nm ³



* External air intake



WARNING:

Minimum safety distance from flammable materials

From the rear and side connection to the chimney * 40mm of insulation with heat conductivity equal to 0.1 W/mK at 200°C	P= 0 + 40* mm Following agreement with chimney sweep
On the side above the plate	L= 400 mm
On the side below the plate (only with Air System fireproof protection unit)	L= 3 mm
Above the plate	Min. 750 mm
In the front from the middle of the fire door	R= 250 mm
Plate for floor protection	Based on specific country directives

